

Tightrope Cablecast Flex-Lite & Flex2

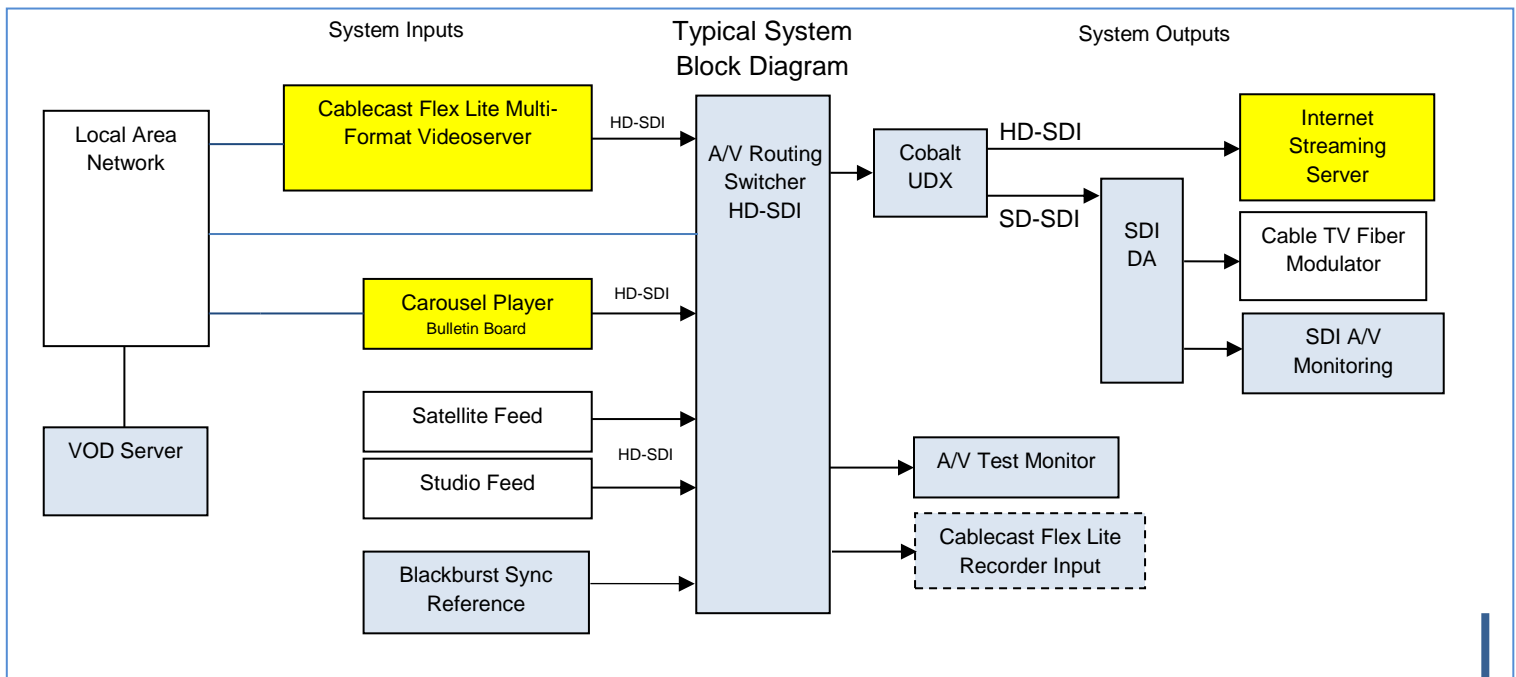
1 or 2 Channel HD/SD-SDI Television Automation System



- ✚ 1 Ch Out – 1 Ch Record, or 2 Channel Playback
- ✚ Award winning Carousel Digital Signage
- ✚ Built-in Channel Branding, Logos and Crawls
- ✚ Internet IP Streaming and IP inputs
- ✚ 4 TB Hard Drive Storage or 10TB RAID-5
- ✚ Multi-File Format Recording and Playback
- ✚ HD/SD Up-conversion & Down-conversion
- ✚ Cablecast Scheduling and Control Software
- ✚ Open Architecture SQL Server Database
- ✚ Full-Control Web Browser Interface
- ✚ Optional VOD, with Chapter Indexing
- ✚ Logos, Text, and Crawls on Live feeds

Typical Turnkey System Proposal 1-Channel HD/SD-SDI A/V

QTY	DESCRIPTION	PRICE
1	Cablecast Flex-Lite Video Server	\$8,950
1	Carousel Digital Signage Player	\$2,895
1	Cablecast Live Streaming Server	\$2,750
1	Blackmagic 12x12 CleanSwitch	\$1,495
1	Marshall Lynx Dual 7" Monitor	\$ 789
1	Blackmagic SDI Audio Monitor	\$1,495
1	Cobalt BBG-1002-UDX Converter	\$3,500
1	Blackmagic SDI Distribution Amplifier	\$ 295
1	Blackmagic Sync Generator	\$ 195
1	System Cables and Documentation	\$ 650
	Total Equipment	\$23,014
	Other Options, Typical Pricing	
	System Integration, Installation and Training	\$3,500
	Cablecast Flex-2 Server, 10TB RAID5	\$15,950
	Video-On-Demand Server	\$8,000
	Spyglass HD Channel Failure Detector	\$3,250
	Cobalt Audio Loudness Control	\$1,895



Cablecast Flex4 on the other side!

Tightrope Cablecast Flex4-16 & 32

Full Featured HD/SD-SDI Television Automation System



- ✚ 4 Input/Output Ports, 4-0, 3-1, 2-2, 1-3, 0-4
- ✚ Award winning Carousel Digital Signage
- ✚ Built-in Channel Branding, Logos and Crawls
- ✚ Internet IP Streaming and IP inputs
- ✚ 16TB or 32TB RAID-5 Storage System
- ✚ Redundant Power Supplies
- ✚ Multi-File Format Recording and Playback
- ✚ HD/SD Up-conversion & Down-conversion
- ✚ Cablecast Scheduling and Control Software
- ✚ Open Architecture SQL Server Database
- ✚ Full-Control Web Browser Interface
- ✚ Optional VOD, with Chapter Indexing
- ✚ Logos, Text, and Crawls on Live feeds

2-Channel Typical System Proposal HD/SD-SDI A/V

QTY	DESCRIPTION	PRICE
1	Cablecast Flex4-16 Video Server	\$24,950
2	Carousel Digital Signage Player (\$2,895)	\$5,790
2	Cablecast Live Streaming Server (\$2,750)	\$5,500
1	Blackmagic 12x12 CleanSwitch	\$1,495
1	Wohler Dual HD 7" Monitor with Audio	\$2,895
1	Blackmagic SDI Audio Monitor	\$1,495
2	Cobalt BBG-1002-UDX Converter (\$3,500)	\$7,000
2	Blackmagic SDI Distribution Amp (\$295)	\$ 590
1	Blackmagic Sync Generator	\$ 195
1	System Cables and Documentation	\$ 950
Total Equipment		\$50,860 ✓
Other Options, Typical Pricing		
System Integration, Installation and Training		\$3,500
Cablecast Flex4-32 Server, 32TB RAID5		\$28,500
Video-On-Demand Server		\$8,000
Spyglass HD Channel Failure Detector		\$3,250
Cobalt Audio Loudness Control		\$1,895

