

Spyglass

Media Control Systems



TV Channel Failure Detector

www.mediacontrolsystems.com



Media Control Systems introduces a new product called the Spyglass TV Channel Failure Detector, CFD-3001A. Even the best equipment or media can eventually fail and cause your channel to be off-air. Protect your channel and keep it on-air with a Spyglass TV Channel Failure Detector and Bypass Switcher.

Spyglass analyzes your Channel output signals looking for signs of failure. It checks your signal for video presence and sync level, picture motion and audio presence. If it detects one or more failures that exceed a predetermined length of time, an alert signal is dispatched and your channel is bypassed to an alternate feed.

Spyglass is specifically designed to protect from false triggering. Preprogrammed algorithms are used to identify the type of failure and preset timers prevent false triggering.

In addition to snow, blue, or black screens, Spyglass can detect a frozen frame from a MPEG-2 decoder or frame synchronizer.

The Spyglass system can be configured to bypass to your system bulletin board, or backup channel feed. Optional outputs are available for sounding alarms or to interface to your existing automation system.

The system can be purchased with or without bypass switching. The Spyglass detection module can be housed in a two-channel or six-channel rack-mount frame.

Optional telephone alarm dialers, that will call multiple telephone numbers and play back pre-recorded messages, can be purchased with your Spyglass system.

See charts and pricing on the next page.

2-Channel 1-RU Chassis, Single Channel Shown with 2x1 Bypass Switcher



6-Channel 2-RU Chassis, Four Channels Shown with Video and Balanced Stereo + SAP 2x1 Switching



Media Control Systems 1050 Pioneer Way, Suite Q El Cajon, CA 92020
Ph: 619-599-1050 Fx: 619-599-1051 www.mediacontrolsystems.com



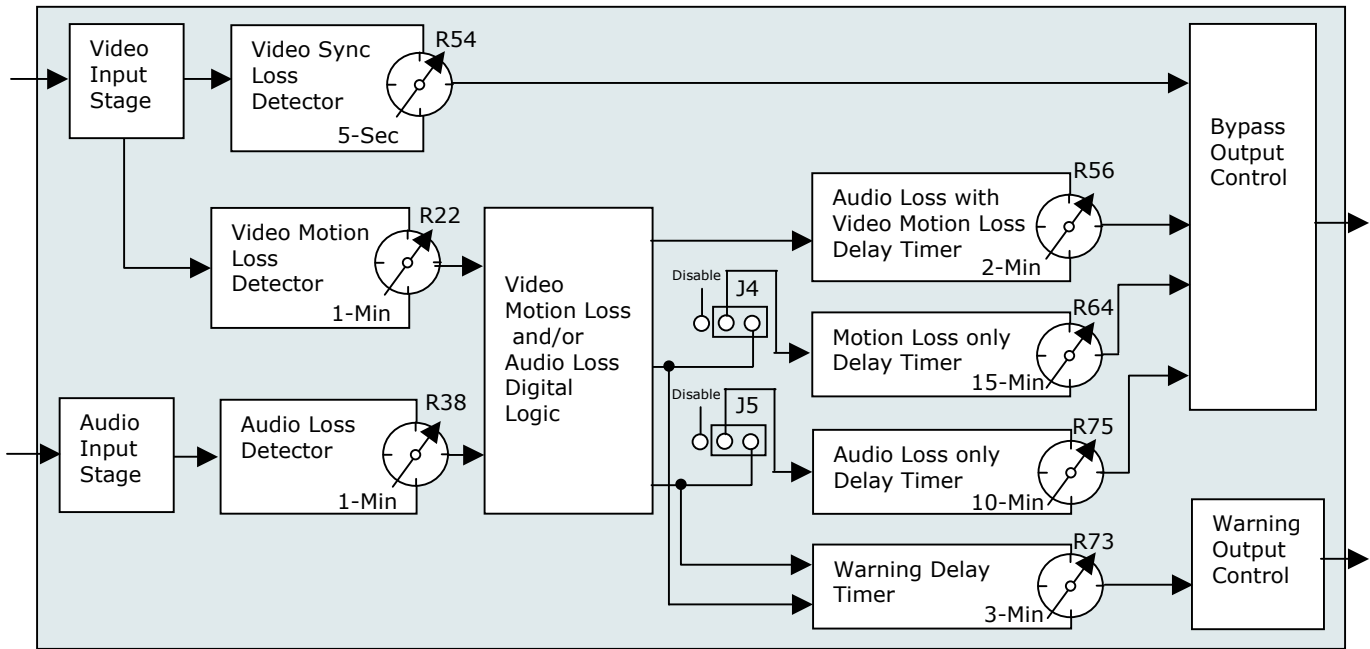
Spyglass Detection and Reaction Parameters

Fault	Possible Condition	Detect Time	Warning Time	Bypass Delay Time
Video Loss	Wiring or Component Failure	5-Sec	N/A	Immediate
Audio Loss + Motion Loss	Playback Device Failure (Blue, Black or Frame-Sync Still Image)	1-Min	N/A	2-Min
Audio Loss	Audio Component Failure (Audio output failure of router or device)	1-Min	3-Min	10-Min *
Motion Loss	Video Component Failure (Frame-Sync Still Image, video only loss)	1-Min	3-Min	15-Min *

* All timers are user adjustable. Audio Loss Only and Motion Loss Only Bypass Timers can be disabled and not used.



Spyglass Functional Block Diagram



Spyglass System Pricing

Spyglass Module...	with RS-232, No Switching	with 2x1 AVS		with 2x1 AVS +RS-232	
		UnBal	Bal	UnBal	Bal
One Channel	\$ 950	\$1,150	\$1,150	\$1,300	\$1,300
Two Channels	\$1,400	\$1,600	\$1,950	\$1,750	\$2,450
Three Channels	\$1,850	\$2,750	\$3,100	\$2,900	\$3,250
Four Channels	\$2,650	\$3,200	\$3,900	\$3,350	\$4,050

Call for pricing on additional channels. Prices subject to change without notice.